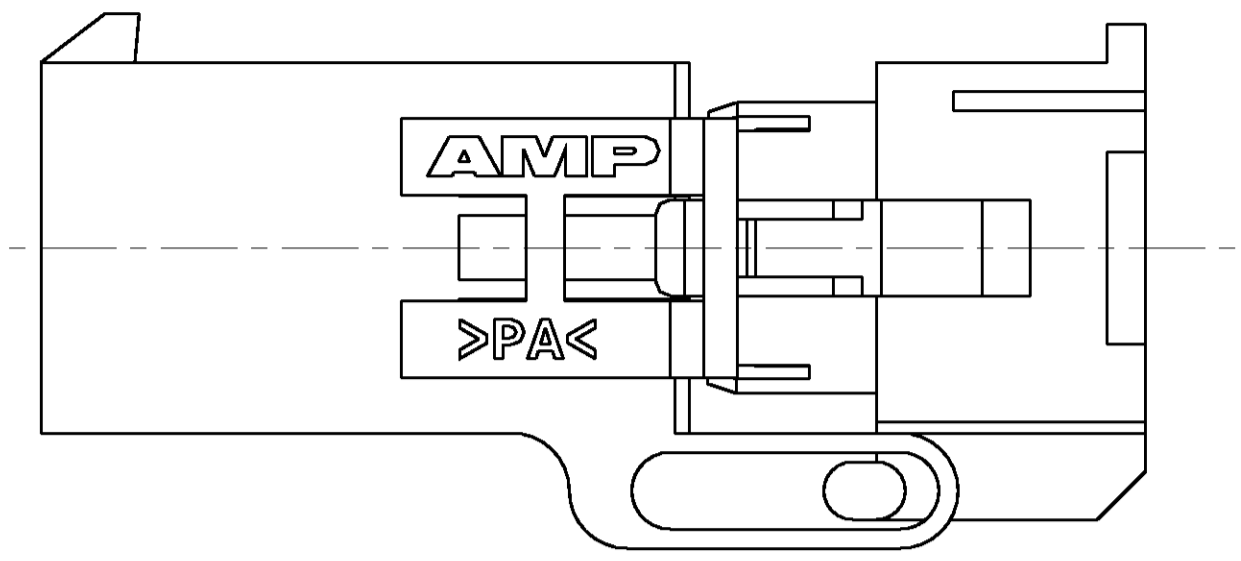
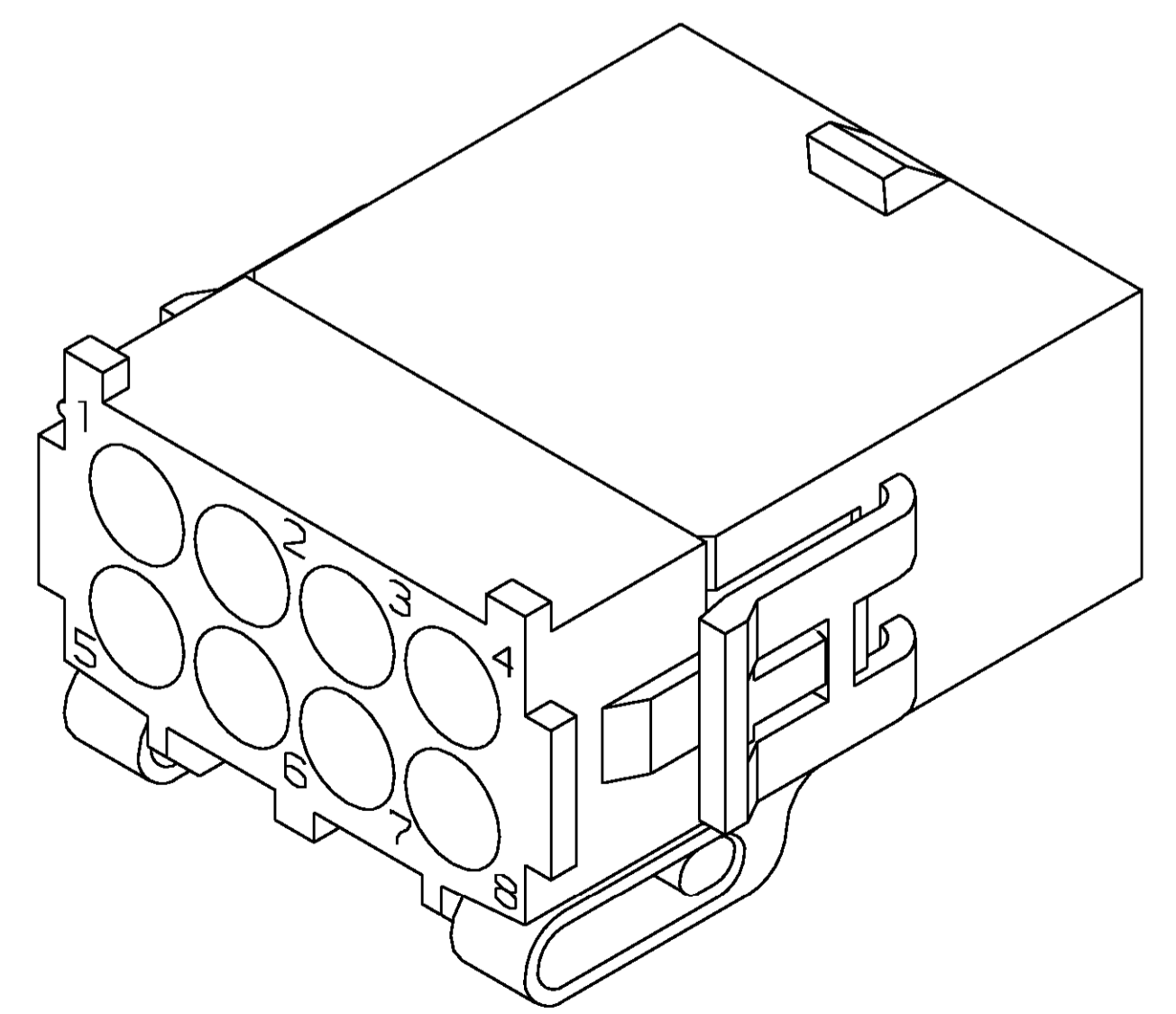
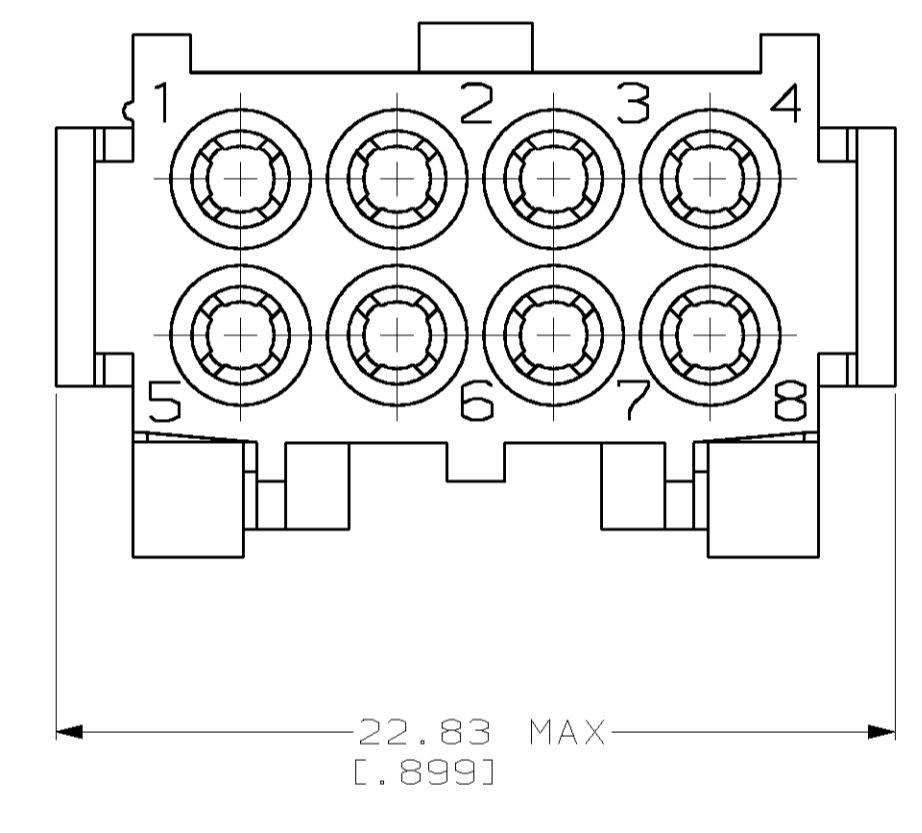
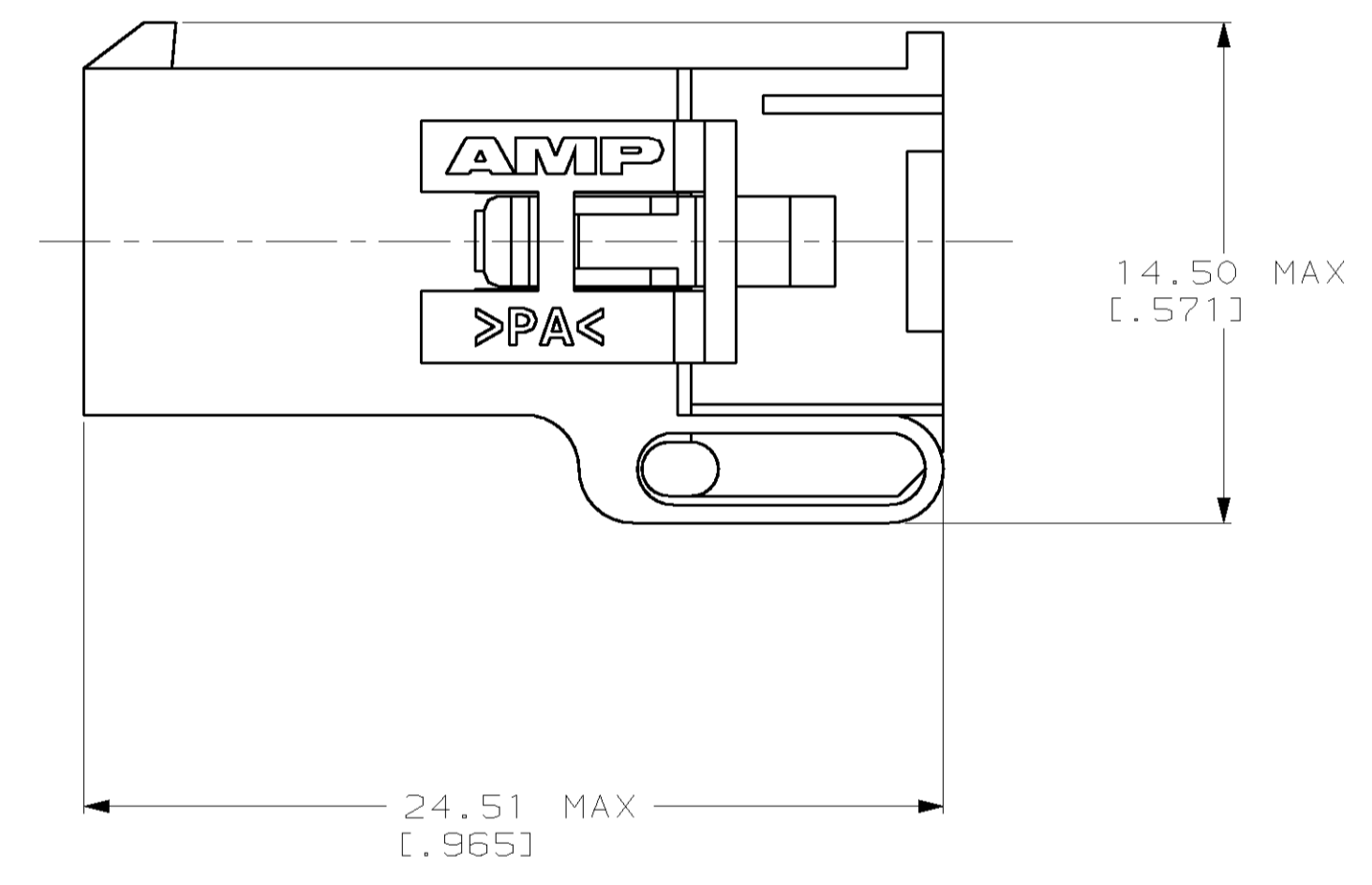
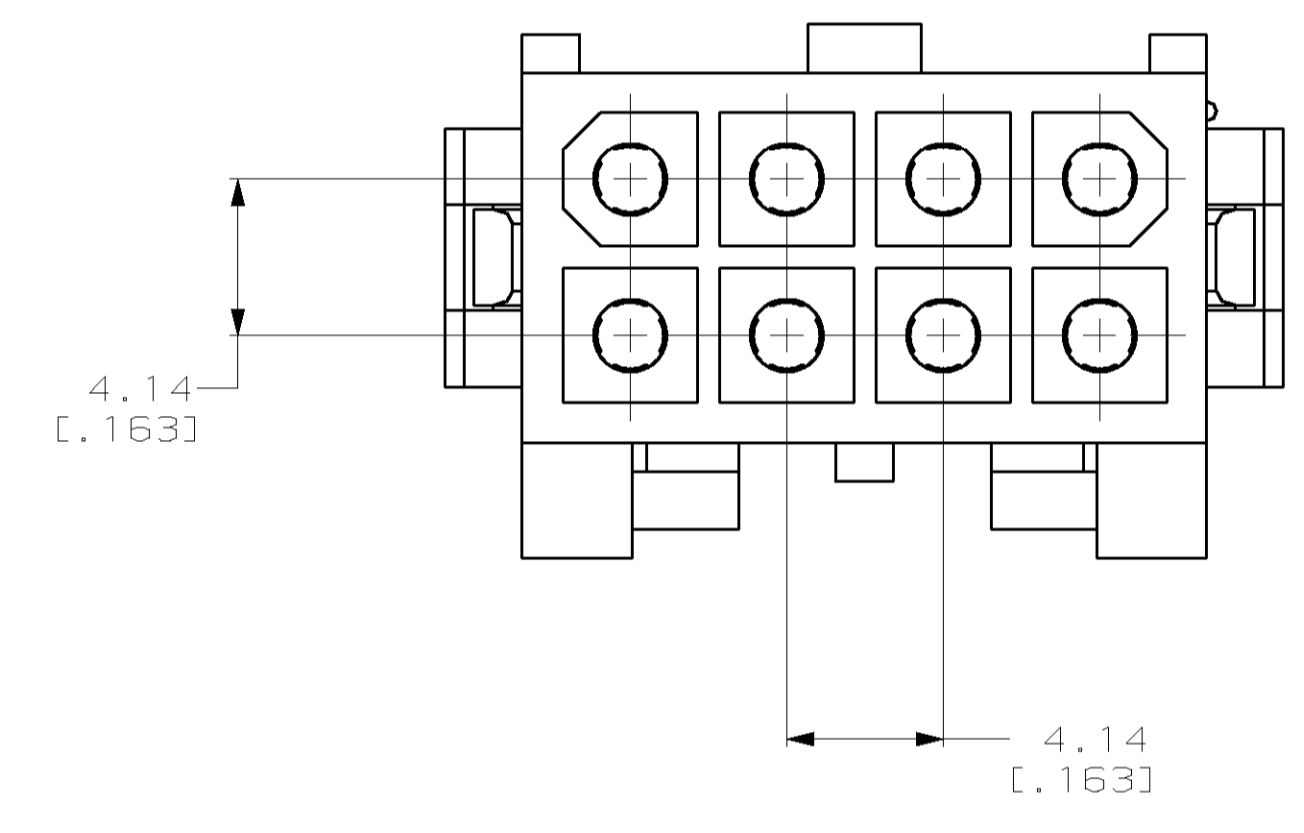


LOC		DIST		REVISIONS			
F	CHR	DATE	BY	APPROV	DESCRIPTION	DATE	BY
B		23-SEP-99	KW	KC	REV PER EC 061B-0094-99		



PRE-STAGED CONDITION

1. DIMENSIONS IN BRACKETS ARE IN INCHES.



3-DIMENSIONAL MODEL
NTS

794193-1
PART NUMBER

METRIC

THIS DRAWING IS A CONTROLLED DOCUMENT.		DWN K. WHITAKER 5-13-97	AMP AMP Incorporated Harrisburg, PA 17105-3608
DIMENSIONS: mm		CHK R. SWING 5-13-97	
TOLERANCES UNLESS OTHERWISE SPECIFIED:		APPROV R. ORSTAD 5-13-97	NAME CAP, 8 CIRCUIT, MINI UNIVERSAL MATE-N-LOK™ 2
0 PLC ±	1 PLC ±	PRODUCT SPEC	SIZE CAGE CODE DRAWING NO
2 PLC ±	3 PLC ±	APPLICATION SPEC	A1 00779 C-794193
4 PLC ±	ANGLES ±	FINISH	RESTRICTED TO
MATERIAL NYLON, UL 94V-0, NATURAL	FINISH	WEIGHT	CUSTOMER DRAWING
SCALE 5:1		SHEET 1 OF 1	REV B